

Astor Aquaba Height Adjustable Basin



Highlights:

- Compact integrated height adjustable basin
 - Great wheelchair access
 - Perfect for under-window installations
- Function to preset two heights
- Load bearing hand/towel rails
- Smooth Corian style basin finish
- Designed and made in the UK



The **Astor Aquaba** height adjustable basin is the **smallest** completely integrated unit available, making it one of the most wheelchair **accessible** basins, and perfect for under window installations.

Designed and manufactured in the UK, this **stunning basin** offers boutique design quality, and would make a fine addition to any bathroom. The design was developed in **conjunction with customers**, and every tiny detail has been thought about and designed to make **access and life just a little easier** without compromising style. Details include a smooth graduated design to the front of the basin, a simple to operate click-clack waste, and sculpted minimal casing below the basin.

Key features include the ability to **preset two heights** to allow dual users in the home to easily switch between their preferred basin heights. Further height adjustments can be made simply by using the up/down arrows. A **lock out** is available to prevent accidental movement or misuse, and the unit has an **anti-trap sensor** incorporated.

The Astor Aquaba can be wall mounted at **any height** to suit the users.



an accessible basin that looks and feels like home

Standard Features:

- Corian style basin and cover finishes
- 300 mm smooth height adjustment (<12 seconds)
- Integrated control panel
- 2 settable height positions
- Integrated load bearing rails
- Click-clack waste
- Lock-out functionality & anti-trap sensor
- 3 Year warranty (*Terms and conditions apply*)

Optional Extras:

- Java style tap
(long lever tap fitted as standard)

Options:

Width of basin:

600 mm, 750 mm and 900 mm





Colour of rails:

Coral, Silver, Matte Black

Astor Aquba

Model Name:	Astor Aquba
Product Description	Height adjustable bath
Product Codes	600 mm Basin: 00.152.00.000 x 1/2/3 750 mm Basin: 00.152.00.001x 1/2/3 900 mm Basin: 00.152.00.010x 1/2/3 1=Coral 2=Silver 3=Matte Black
Height Range	300 mm range at a height to suit
Dimensions	706 mm (h) x 535 mm (d) x basin width as chosen

Features:

- 
 Height Adjustable
- 
 Mains Electric
- 
 Preset 2 Heights
- 
 3 Year Warranty

Options:

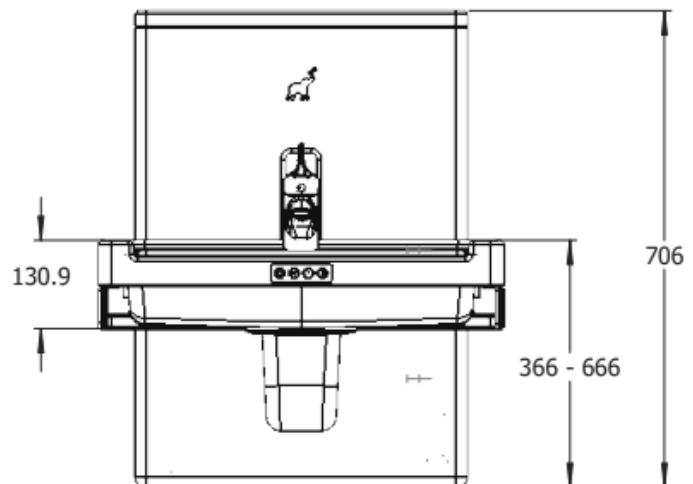
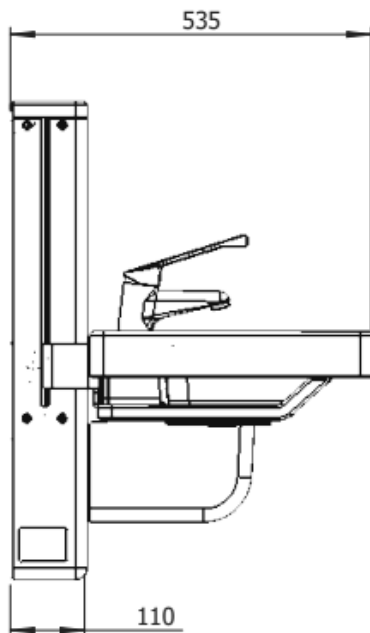
- 
 Range of Taps
- 
 Rail Colour Choice
- 
 Basin Width
- 
 Service

Application:

- Private Home
- Supported Living
- Respite Home
- Care Home
- Hospital
- Changing Places 

Technical Drawings:

All dimensions in mm:



Astor Bannerman

The Elephant Works, Andoversford Link, Cheltenham GL54 4LB

sales@astorbannerman.co.uk

01242 820820

www.astorbannerman.co.uk